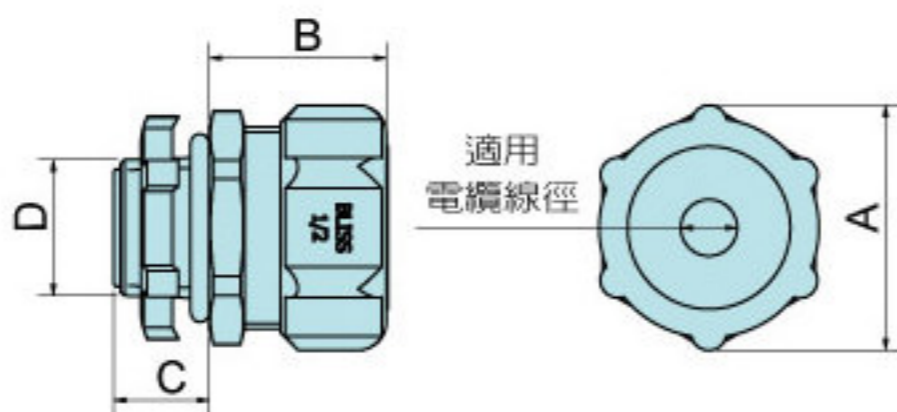


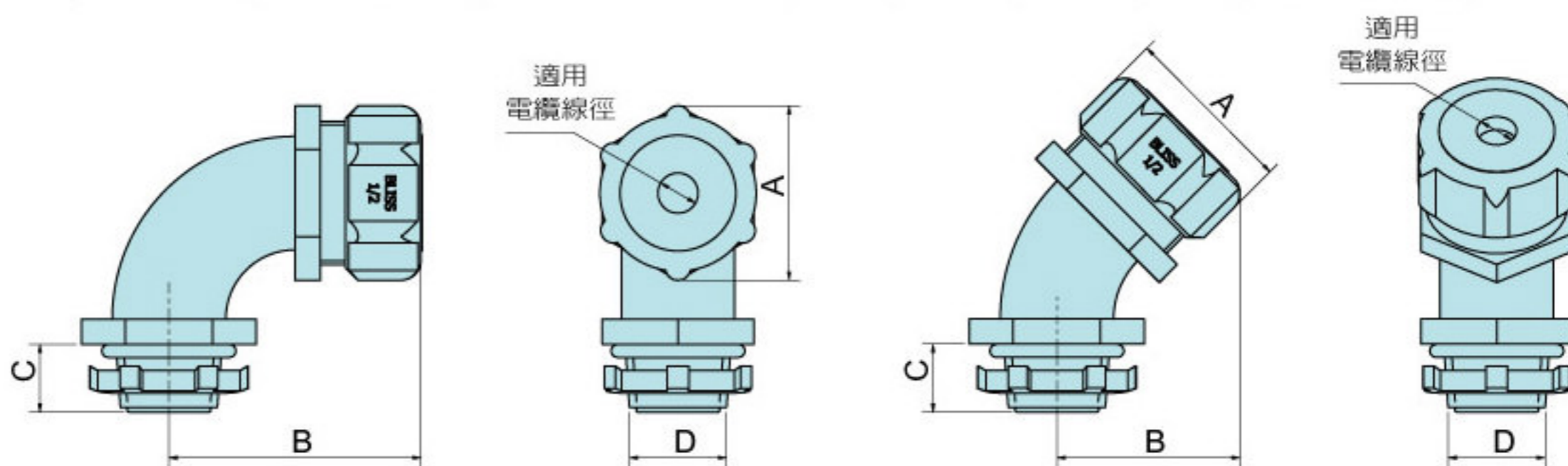
金屬製電纜固定接頭

- 展性鑄鐵 (MALLEABLE IRON)、延性鑄鐵 (DUCTILE CAST IRON)或鐵 (STEEL)製成，表面電鍍鋅。
- NPT 牙。
- 另有M牙、PG牙、PF牙及鑄鋅(鋅合金)材質可選購。
- 附O環和絕緣內套。
- 適合固定電纜線使用。



B7131

牙制	規格 (inch)	品號	尺寸 (mm)				適用電纜線徑 (mm)	包裝 (pcs)
			A	B	C	D		
NPT 1/2	3/8"	B71310304	29.0	22.5	14.5	21.0	4 - 8	100
NPT 1/2	3/8"	B71310308	29.0	22.5	14.5	21.0	8 - 12	100
NPT 1/2	3/8"	B71310312	29.0	22.5	14.5	21.0	12 - 13	100
NPT 3/4	3/4"	B71310614	41.5	28.0	16.0	26.4	14 - 18	50
NPT 1	1"	B71311018	46.0	31.5	19.5	33.3	18 - 24	50
NPT 1-1/4	1-1/4"	B71311224	55.5	34.0	20.5	41.9	24 - 32	25



L7131

N7131



L7131

牙制	規格 (inch)	品號	尺寸 (mm)				適用電纜線徑 (mm)	包裝 (pcs)
			A	B	C	D		
NPT 1/2	3/8"	L71310304	29.0	40.0	14.5	21.0	4 - 8	50
NPT 1/2	3/8"	L71310308	29.0	40.0	14.5	21.0	8 - 12	50
NPT 1/2	3/8"	L71310312	29.0	40.0	14.5	21.0	12 - 13	50
NPT 3/4	3/4"	L71310614	41.5	53.0	16.0	26.4	14 - 18	25
NPT 1	1"	L71311018	46.0	59.0	19.5	33.3	18 - 24	25
NPT 1-1/4	1-1/4"	L71311224	55.5	69.0	20.5	41.9	24 - 32	15



N7131

牙制	規格 (inch)	品號	尺寸 (mm)				適用電纜線徑 (mm)	包裝 (pcs)
			A	B	C	D		
NPT 1/2	3/8"	N71310304	29.0	31.0	14.5	21.0	4 - 8	50
NPT 1/2	3/8"	N71310308	29.0	31.0	14.5	21.0	8 - 12	50
NPT 1/2	3/8"	N71310312	29.0	31.0	14.5	21.0	12 - 13	50
NPT 3/4	3/4"	N71310614	41.5	37.0	16.0	26.4	14 - 18	25
NPT 1	1"	N71311018	46.0	46.5	19.5	33.3	18 - 24	25
NPT 1-1/4	1-1/4"	N71311224	55.5	53.0	20.5	41.9	24 - 32	15